

# Kits





The KBSound® radio amazes and captivates you. It can be easily installed in the ceiling or a kitchen or bathroom fixture as simply as if you were installing a halogen light. The kit includes all the components required for installation: power supply with FM tuner, loudspeakers, cables and remote control device.

The independent audio control units of the 400 and 100 Series offer a multitude of possible combinations to suit installations requiring unique solutions.

**KBSOUND®**  
SELECT

The radio that you enjoy but don't see.

Installed in the ceiling or fixture, just like any other accessory, it is nearly invisible. It's bi-directional remote control, based on exclusive and proprietary EIS technology, with a contemporary design makes it perfectly suited for kitchens and bathrooms.

Intuitive and simple operation with a screen that displays stations and functions.

IR receiver and transmitter built-in to loudspeaker to facilitate installation.

Kbsound® Select

Music sound system with built-in FM tuner with a built-in FM tuner. 1.5+1.5W stereo output.

Remote control unit equipped with a screen to display functions and direct key-in of FM station frequency. Automatic seek and save of stations with optimal reception. Memory holds 30 stations.

Two 2.5" loudspeakers with IR receiver/transmitter built into the loudspeaker grille.

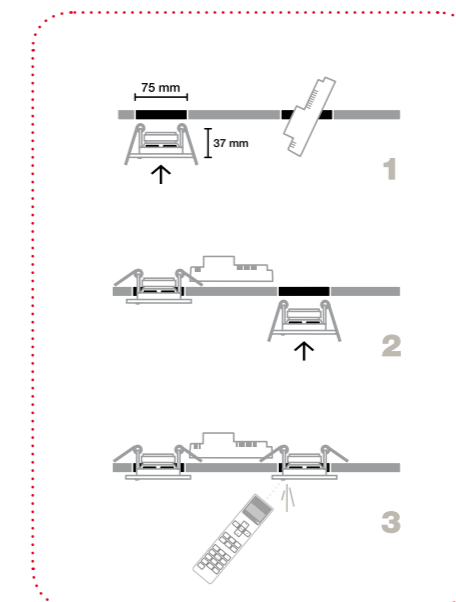
Accessories:

- Antenna wire (76 cm.)
- Parallel loudspeaker cabling (10 m.)



MODEL	403 05	403 15	403 35	403 45
QUANTITY	1	1	1	1
COLOR	<input type="checkbox"/>	<input checked="" type="checkbox"/>	<input type="checkbox"/>	<input type="checkbox"/>

It's as easy to install as a halogen bulb.



- White
- Nickel
- Black
- Chrome
- Matt chrome



Patent pending.





Kbsound® offers quality sound with all the advantages of a kit: easy to mount, includes all the parts needed for installation and no sound pre-installations required.



Kbsound®

Music sound system with built-in FM tuner with a built-in FM tuner.

1.5+1.5W stereo output.

Remote control with direct key-in of radio station frequency.

Automatic seek and save of stations with optimal reception.

Memory holds 20 stations.

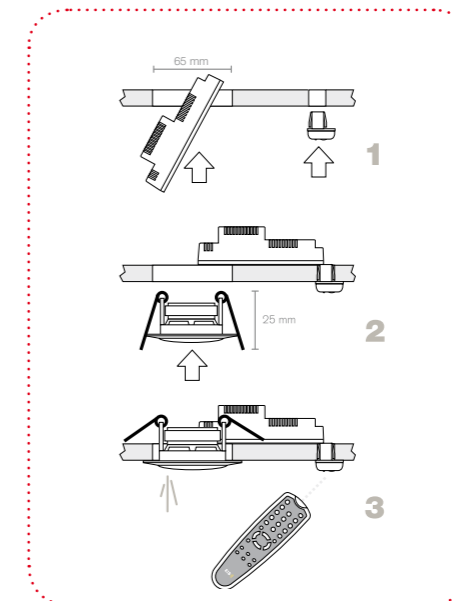
Two 2", 16 Ohm loudspeakers.

Accessories:

- Antenna wire (76 cm.)
- Parallel loudspeaker cabling, 2 x .5 m. (10 m.)

MODEL	401 05	401 15	401 25	401 35	401 45
QUANTITY	1	1	1	1	1
COLOR	□	N	■	C	MC

It's as easy to install as a halogen bulb.



- White
- N Nickel
- Black
- C Chrome
- MC Matt chrome





The radio for refurbishments.

Furnished with Discman input, clock and alarms, several finishes to choose from, accessories such as a remote control ...

It offers the same advantages of our 400 Series: designer look, user-friendly operation and state-of-the-art features, all with no audio pre-installation required.

It delivers all the advantages of a kit: it's easy to assemble and comes with all the parts required for installation



Kbsound® PREMIUM

Control unit with 1.5+1.5W output, an FM tuner with a 20 station memory, direct key-in of station, clock and alarms, Discman input ...

Two 2", 16 Ohm loudspeakers.

8W/15V power supply. Frame and cover plate for control unit in white. (Other colors are available separately. See accessories.)

Built-in housing case measures length 146 , height 68 , depth 41 mm.

Accessories: Parallel loudspeaker cabling, 2 x .5 m. (10 m.) and antenna wire (76 cm.)



MODEL	401 02	401 12	401 22	401 32	401 42
QUANTITY	1	1	1	1	1
COLOR	□	■	■	■	■

COVER PLATE CONTROL UNIT

Cover plate for control unit.



MODEL	422 01	422 11	422 21	422 31	422 41	422 61	422 71	422 81
QUANTITY	5	5	5	5	5	5	5	5
COLOR	□	■	■	■	■	■	■	■

FRAME FOR KIT

Exterior measurements in mm.: 150 x 80  
Surface housing Ref. 185 02 in the Accessories chapter.



MODEL	491 01	491 11	491 21	491 31	491 41	491 61	491 71	491 81
QUANTITY	6	6	6	6	6	6	6	6
COLOR	□	■	■	■	■	■	■	■

REMOTE CONTROL DEVICE

Ref. 427 91  
(Consult The 400 Series chapter for more details).



# Independent control units

## THE 400 SERIES CONTROL UNIT with FM tuner and Discman input

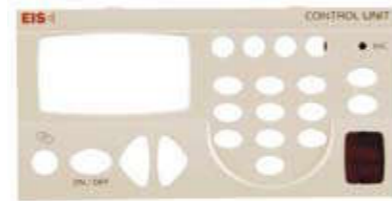
1.5W + 1.5W stereo over 16W.  
 Discman input.  
 FM tuner with direct station key-in.  
 Manual and automatic station seek with programmable sensitivity adjustment.  
 20 memory pre-sets.  
 Clock-calendar, alarm clock, sleep function.  
 "Intelligent" loudness.



MODEL	426 91
QUANTITY	1

## COVER PLATE FOR CONTROL UNIT

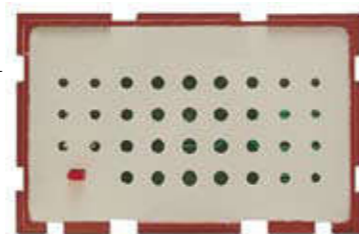
Cover plate for control unit.  
 Ref. 401 01, 401 11, 401 21, 401 31, 401 41.



MODEL	422 01	422 11	422 21	422 31	422 41	422 61	422 71	422 81
QUANTITY	1	1	1	1	1	1	1	1
COLOR								

## POWER SUPPLIES (14W AND 30W)

14W and 30W switching power supply. Operation indicator. Input for remote switch-on and remote control.  
 Voltage output for remote control external network feeding points.  
 Acts as primary or secondary power supply.



Maximum number of control units per power supply: 8 stereo control units or 16 mono control units (16 speakers).  
 Exterior measurements in mm.: length 118, height 70, depth 48.

MODEL	112 95	112 96
SPECS.	14W	30W
QUANTITY	1	1

## HIDDEN POWER SUPPLY

15V/8W power supply.  
 Unlike 90, 100 and 400 Series power supplies, remote control and auto switch-on are not available.



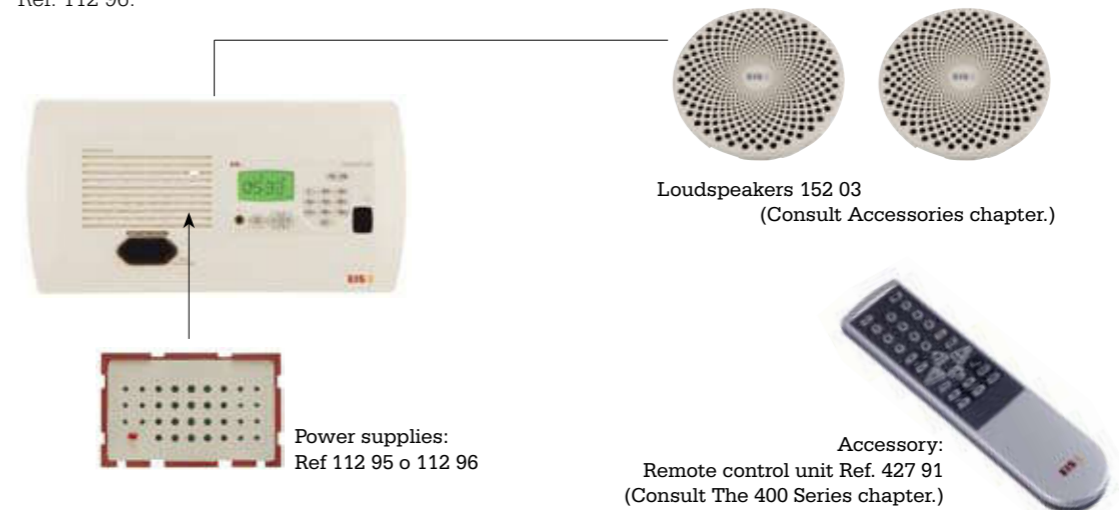
MODEL	112 98
QUANTITY	1

# Independent control units

## KIT INSTALLATIONS:

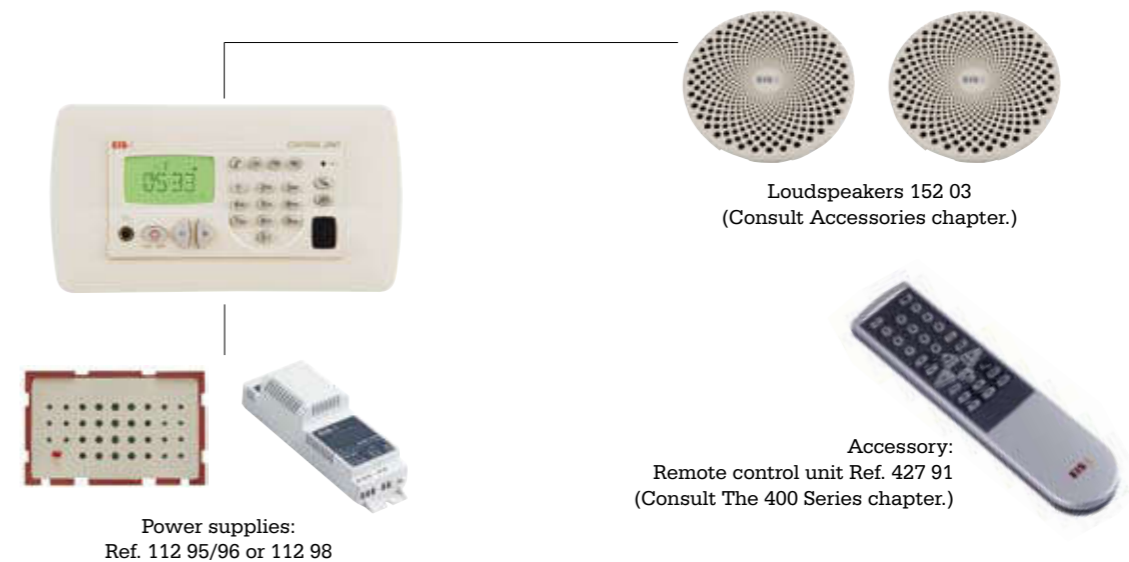
### TYPE I INSTALLATION

Installed as an independent control unit using cover plate Ref. 194 04/14/24 or Ref. 194 05/15/25 together with power supply Ref. 112 95 or Ref. 112 96.



### TYPE II INSTALLATION

Installed as an independent control unit using frames Ref. 491 01/11/21/31/41/61/71/81 and installing an independent power supply Ref. 112 95, 112 96, or 112 98.



Other types of installations: Consult our Technical Assistance Service

# Independent Control Units

# Independent Control Units

## THE 100 SERIES CONTROL UNIT with FM tuner and power supply

FM stereo tuner.  
Automatic scan with seek and save of stations.  
Sleep and ideal mode function.  
0.8W over 16W mono output.  
230V power (built- in power supply).

Recommended cavity measurements in mm.: length 45, height 45, depth 36  
Crown diameter in mm.: 56



MODEL	326 91
QUANTITY	1

## CONTROL UNIT COVER PLATE

Front cover plate for control unit with FM tuner and built-in power supply Ref. 326 91.

Exterior measurements in mm.: length 45, height 45

MODEL	326 01	326 11	326 21	326 41	326 71	326 81
QUANTITY	5	5	5	5	5	5
COLOR						



## 2" LOUDSPEAKER UNIT

16W wide band  
2W maximum allowable power  
Back mounting box fits all series units.  
For assembly with The 100 Series and The 400 Modular Series cover plates.  
Ref. 481 02, 481 12, 481 22, 481 42, 481 72 y 481 82.

Recommended cavity measurements in mm.: length 51, height 51  
Crown diameter in mm.: 56

MODEL	153 93
QUANTITY	10

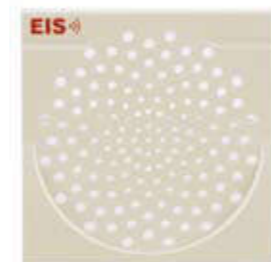


## COVER PLATE FOR 2" LOUDSPEAKER

Cover plate for 2" loudspeaker Ref. 153 93 for The 100 Series.

Exterior measurements in mm.: 45 length, 45 height, 5.6 depth

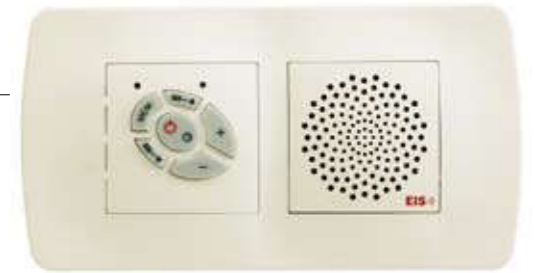
MODEL	381 01	381 11	381 21	381 41	381 71	381 81
QUANTITY	5	5	5	5	5	5
COLOR						



## KIT INSTALLATIONS

### TYPE I INSTALLATION: BUILT-IN WITH 2" LOUDSPEAKER

Installation of built-in kit with 2" loudspeaker unit Ref. 153 93 and cover plate Ref. 381 01/11/21 ... and two-unit frame. Ref. 391 02/12/22 ...



### TYPE II INSTALLATION: SURFACE UNIT WITH 2" LOUDSPEAKER

Installation of surface kit with housing Ref. 185 02, together with 2" loudspeaker unit Ref. 153 93 and cover plate Ref. 381 01/11/21 ... and two-unit frame. Ref. 391 02/12/22 ...

